

VAL HNK C CD

LEVER Tap Range Lever High Neck Pillar Taps Chrome With Ceramic Disc Valves



Features:

- Long life and easy to use 1/4 turn ceramic disc valves
- Metal back nuts for added durability
- Supplied with 3" (76mm) metal lever handles

Product Certifications:



WRAS Cert. Number: 1905900
WRAS Expiry Date: 31/05/2024



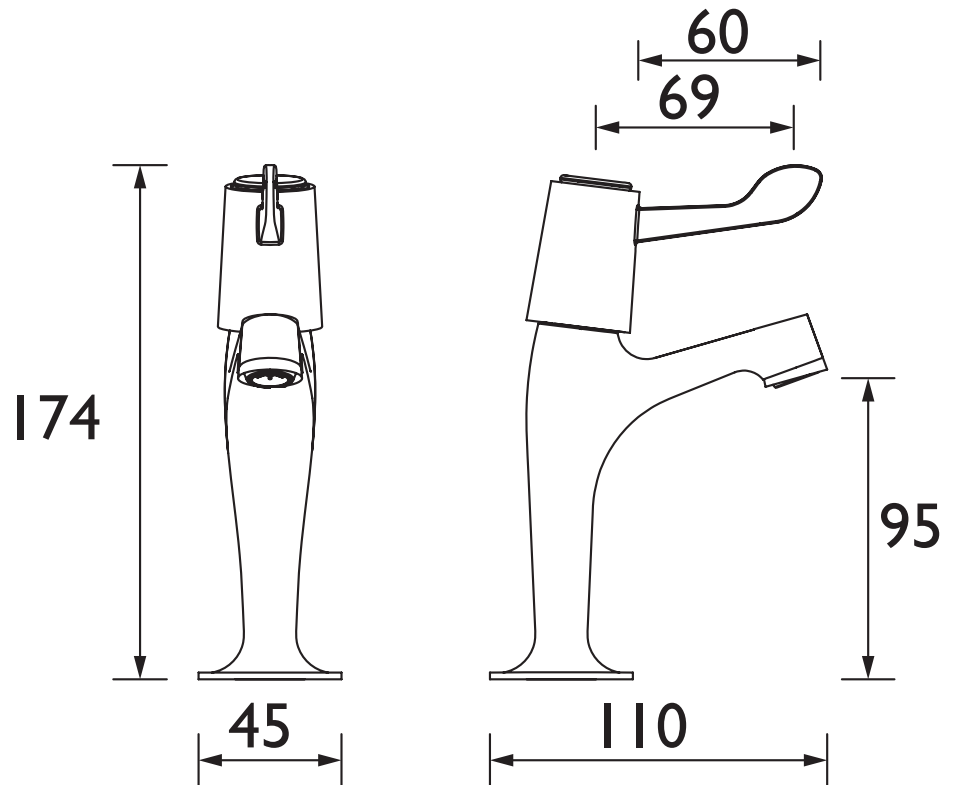
For more products, visit our website:
<http://www.bristan.com>



Specification

Product Type:	Kitchen Tap
Main Construction Material:	Brass
Mount Type:	Deck Mouted
Handle Type:	Lever Handles
Connection Inlet:	1/2" BSP
Connection Outlet:	M16 Aerator
Number of Tap Holes:	2
Valve/Cartridge Type:	1/2" Ceramic Disc Valve - Quarter Turn
Plumbing System Requirements:	Suiutable for all plumbing systems
Minimum Dynamic Pressure:	0.2 Bar
Maximum Dynamic Pressure:	7.0 Bar
Maximum Hot Water Temperature: °C	60
Maximum Static Pressure: (bar)	10
Flow Type:	Single Flow
Isolation Included:	No

Dimensions (measurements in mm)



Flow Rates (l/min)

System Pressure (bar)	0.2	0.5	1	2	3	5
VAL HNK C CD	8.1	12.8	18.6	25.8	31.5	40.7

TECHNICAL DATA SHEET



BRISTAN

D9